

# Duo 5800 Diversity Receiver

## 1. Specification:

- I Receiver Frequency:  
CH1: 5705MHz CH2: 5685MHz CH3: 5665MHz CH4: 5645MHz  
CH5: 5885MHz CH6: 5905MHz CH7: 5925MHz CH8: 5945MHz
- I Video Output: 75Ω/1Vp-p
- I Audio Output: 10KΩ/500mVp-p
- I TV System: PAL/NTSC/SECAM
- I Input Voltage: 12V/500mA

## 2. Features:

- I Twin Receiver for best reception
- I Automatic Antenna Switching
- I Triple, buffered AV outputs
- I Can receive 2 different channels at the same time
- I Not affect by 2.4GHz R/C Radios
- I AV Receiver with Diversity inputs
- I Small, light weight, durable, anodized aluminum case
- I Weight: 197 g
- I Size: 76\*64\*18mm

## 3. Operation and Figures

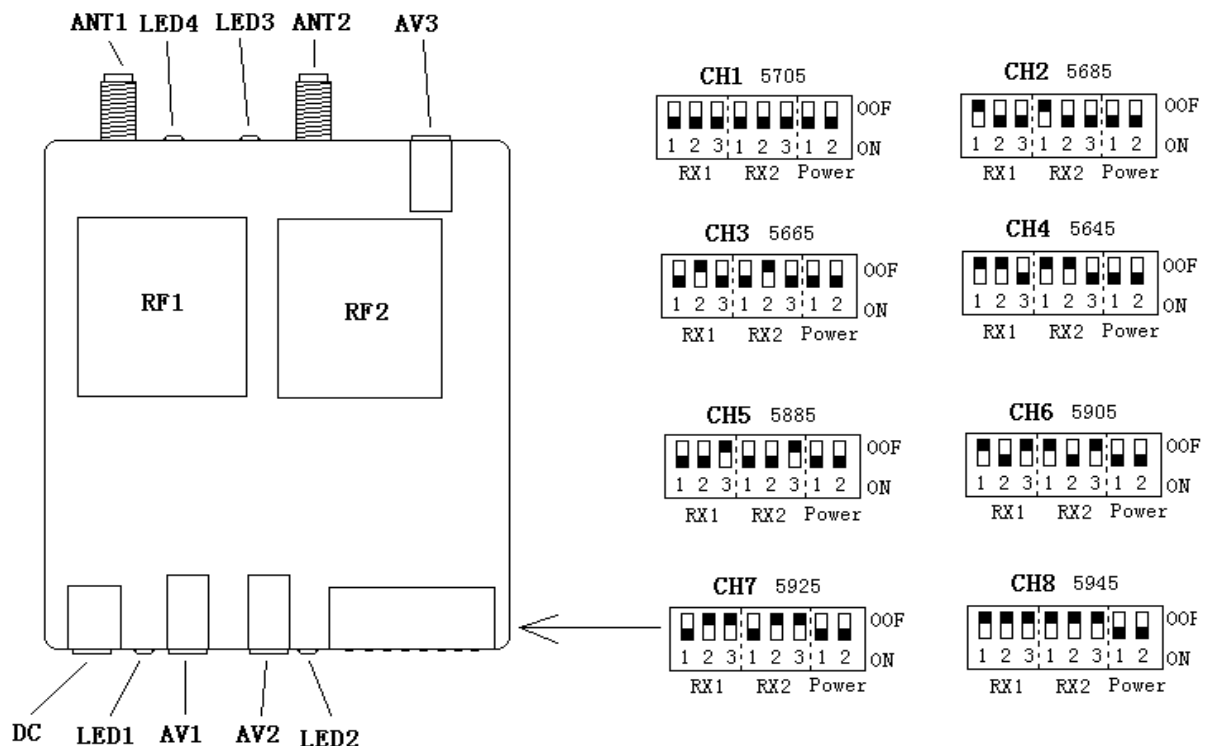


图1

- I To receive two different channels at the same time:
  - ① Connect the AV cables to the AV output: AV1 and AV2, and connect the antennas, and then apply the power
  - ② Switch on the power button, 1 is on/off switch for RF1, LED1 will be on when it's turned on, 2 is for RF2, LED2 is on and then the receiver will work, you can view the image on the monitor
  - ③ Select the channel: RX1 for RF1 and RX2 for F2, with different position of the number 1, 2,3 names different channels
- I Operation for Diversity use
  - ① Connect the AV cables to the AV output: AV3, and connect the antennas, and then apply the power
  - ② Switch on the power button for both 1 and 2
  - ③ Set RX1 and RX2 to the same channel
  - ④ LED4 for RF1 and LED3 for RF2. The LED will be on when the strongest signal is confirmed. It will automatically switch to the receiver with the strongest signal