

D58-4 Diversity Receiver

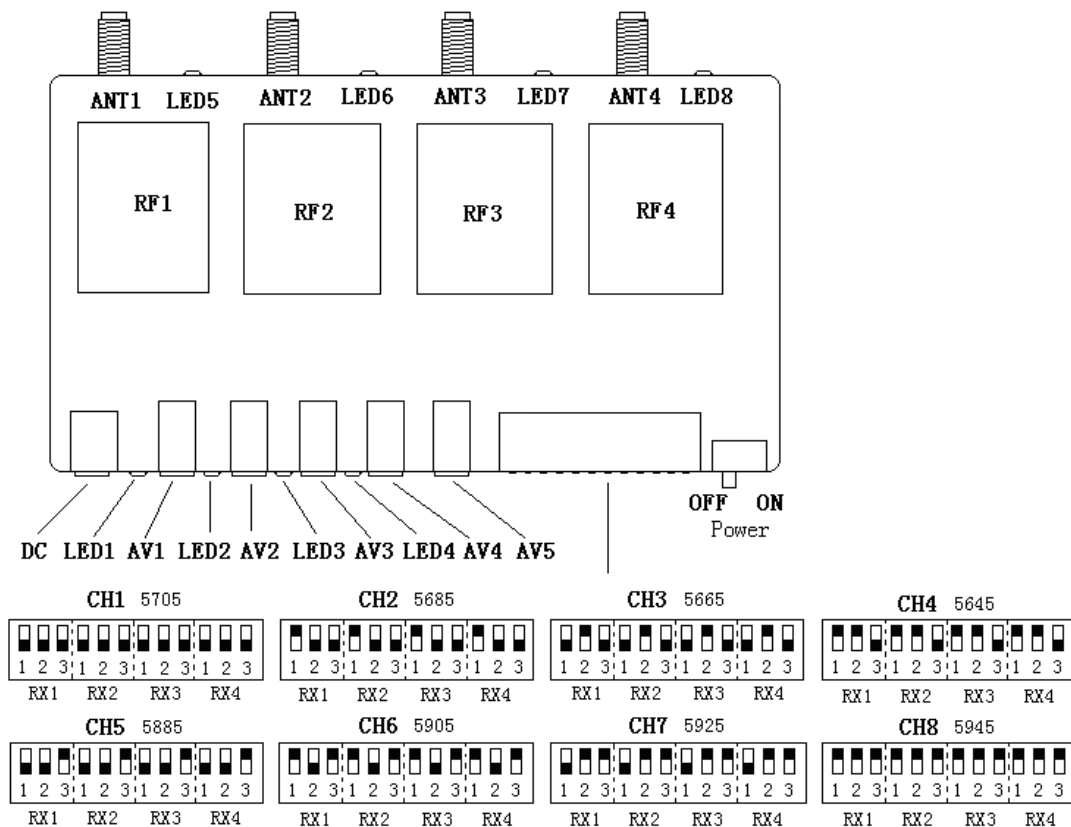
1. Specification:

- Receiver Frequency:
CH1: 5705MHz CH2: 5685MHz CH3: 5665MHz CH4: 5645MHz
CH5: 5885MHz CH6: 5905MHz CH7: 5925MHz CH8: 5945MHz
- Video Output: 75Ω/1Vp-p
- Audio Output: 10KΩ/500mVp-p
- TV System: PAL/NTSC/SECAM
- Input Voltage: 12V/500mA

2. Features:

- Four Receiver for best reception
- Automatic Antenna Switching
- Triple, buffered AV outputs
- Can receive 4 different channels at the same time
- Not affect by 2.4GHz R/C Radios
- AV Receiver with Diversity inputs
- Light weight,durable,anodized aluminum case
- Weight:200g
- Size:122mmx96mmx21mm(D58-4 diversity receiver only)

3. Operation and Figures



To receive 4 different channels at the same time:

- ① Connect the antennas then connect the AV cables to: AV1,AV2,AV3,AV4, and then connect the 12V DC power adapter
- ② Switch on the power button, LED1,LED2,LED3,LED4 are on means the 4Ch RF are working. LED5, LED6, LED7, LED8 are all on and AV1, AV2, AV3, AV4 are then ready to work.LED8 is on when no signal.
- ③ Select the channel: RX1 for RF1 and RX2 for F2, RX3 for RF3, RX4 for RF4, with different position of the number 1, 2, 3 names different channels from CH1 to CH8.

Operation for Diversity use

- ① Connect the AV cable to AV5, and connect the antennas, and then apply the power
- ② Switch on the power button
- ③ Set RX1,RX2,RX3,RX4 to the same channel
- ④ LED5 for RF1 and LED6 for RF2,LED7 for RF3,LED8 for RF4. The LED will be on when the strongest signal is confirmed. It will automatically switch to the receiver with the strongest signal

WEBSITE: WWW.FOXTECHFPV.COM