

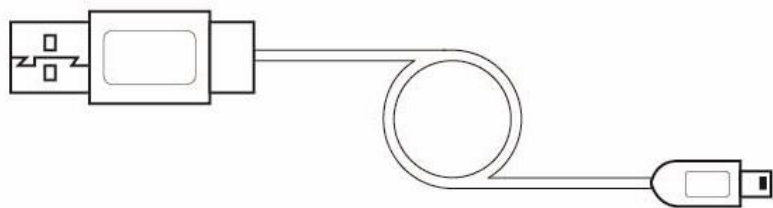
RC800: 5.8G 32CH Wireless Receiver &DVR 7”FPV Monitor

Operating Manual

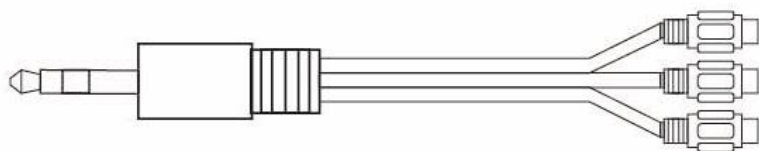
DVR operating manual	2
Functions&Accessories sketch	
1 Menu.....	5
Loop Record.....	5
Date Stamp.....	5
Memory Info.....	5
Format.....	5
Language.....	5
Date/Time.....	5
Default.	5
Beep.....	5
TV Standard.....	5
Auto Power Off..	5
Battery Type.....	5
Remoter Type.....	6
LCD Brightness.....	6
LCD Full Screen.....	6
Version.....	6
2 Volume Adjustment.....	6
3 Wireless receiving mode.....	6
4 AV-IN mode.....	7
5 Video Recording.....	8
6 Video playback.....	8
■ Playback.....	8
■ Playback Menu.....	8
Delete.....	8
Lock.	8
Unlock.....	8
Thumbnail.....	8
7 Indicator light.....	8
Others	9
1 Connected with PC.....	9
2 Connected with TV.....	9
3 Synchronous switching transmitter receiver channels.....	9
4 Connected with AAT antenna.	9

Functions& Accessories sketch:

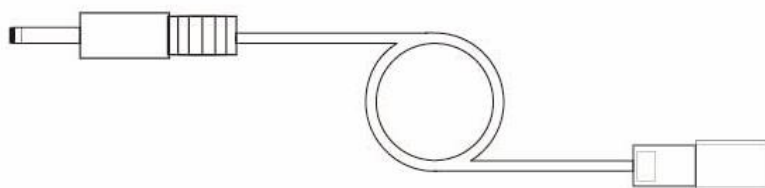
1. **Accessories** sketch:



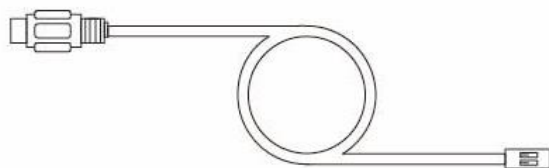
USB cable



AV cable



DC cable

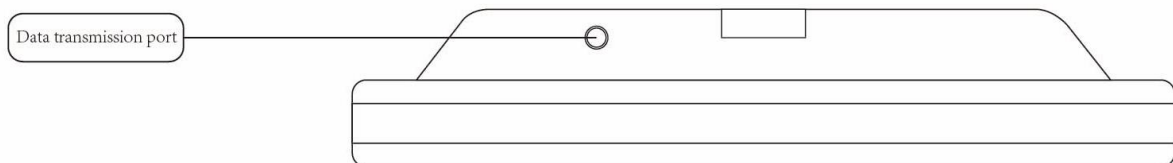
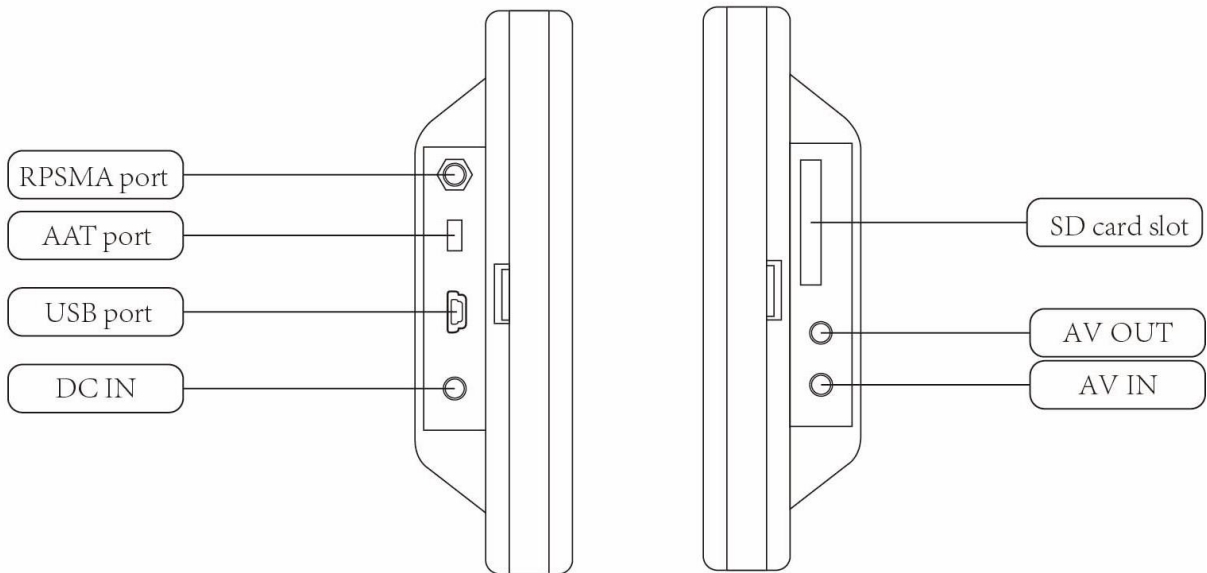
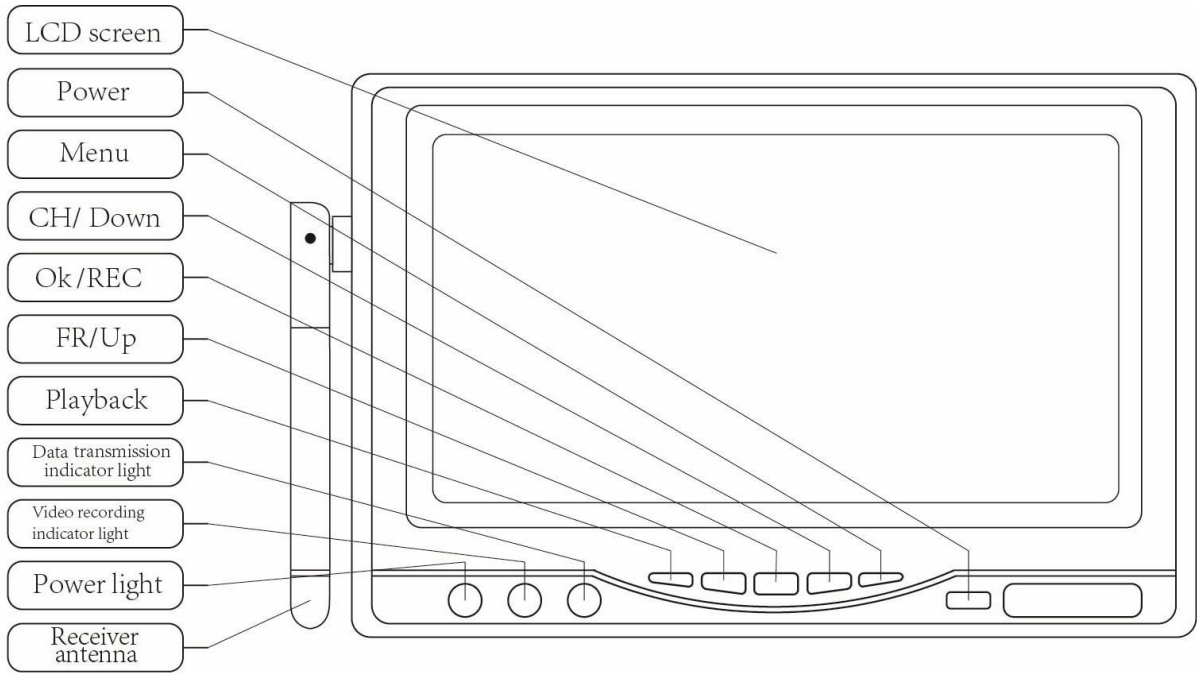


AAT connection cable



DATA connection cable

2. Connector & bottoms:



RC800 Operation Instruction

1 Menu

- Press “MENU” to enter the menu。
- Press “FR(▲)” and “CH(▼)” to choose, press “OK (●)” to set。

Loop Record

- Start loop record function and press OK (●) to record, when memory is full occupied, it will delete the earliest document, and continue new record until press OK (●) again to stop or power off automatically。
- Please insert a large capacity memory card (Over 2GB will be better)。
- When start this function, Application will calculate available memory to record, if less than 2 minutes, the earliest document will be delete automatically to release the space to make a new record。
- Document will be divided to 2 minutes per piece during the continuous recording mode, It will delete 2 pieces at least to release enough space, a suspend will be allowed during deleting, Please wait till restart recording mode automatically。

Date Stamp

- Date Stamp can print the date/time stamp on the video screen during the record。
- Caution: Adjust the time and date before “Date Stamp” function。

Memory Info

- Memory Info to check the memory card of spatial information。

Format

- Perform formatting operation will delete all files in the current storage, please backup your documents to other storage devices before formatting。
- Formatting can only format the current working memory。

Language

- Please select the appropriate language in the menu。
- Languages: English、Chinese (Simplified)、Chinese (Traditional)、German、French。

Date/Time

- Press “FR(▲) and CH(▼)”to set numbers, press “OK (●)”to confirm。
- Please set the time and date before use to make sure all document will be stored in the correct date and time field。

Default

- System restore to factory settings。

Beep

- Prompt tone will be allowed in the menu when this works on。

TV Standard

- Set recording size
- Optional: PAL(720×576)、NTSC(720×480)

Auto Power Off

- To set power off time automatically when without signal: 5 Minutes、3 Minutes、1 Minutes。

Battery Type

- Low power protection function, Please choose your battery 3S、4S、5S、6S; Ignore option to ignore

the battery options (Close the low power protection function)。

LCD Brightness

- 5 levels LCD brightness to meet different demand

LCD Full Screen

- With this function to appear full screen image, 4 : 3 screen appeared without this function。

Version

- View the current system software version。

2 Volume adjustment

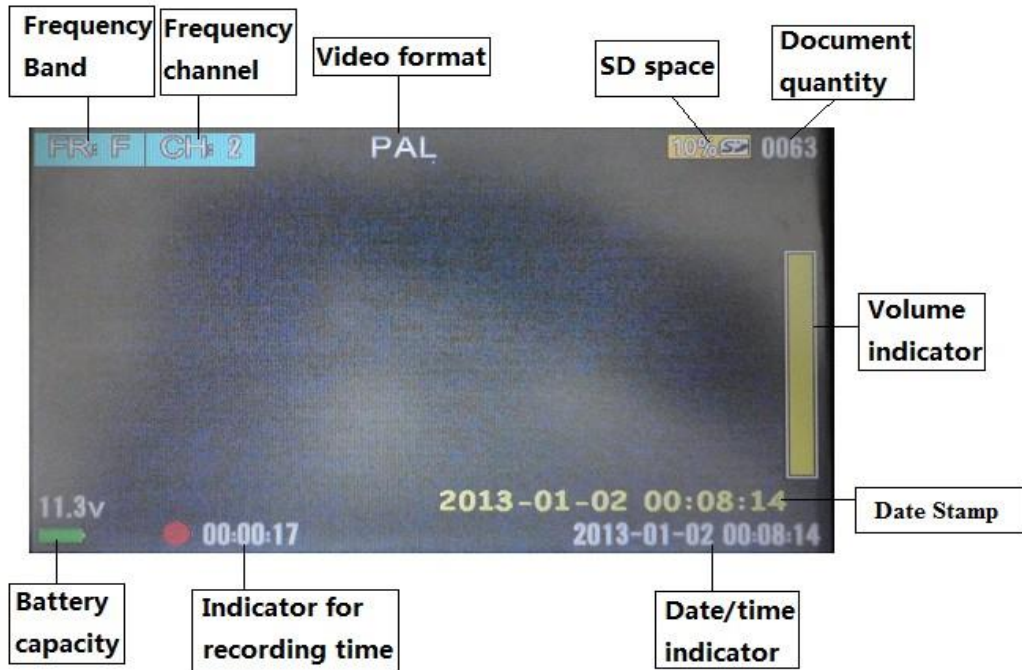
- volume is set to minimum level after power on。
- Press “FR(▲)” a long time to increase volume, press “CH(▼)” a long time to decrease volume with volume icon shows the on the right of Screen。

3 Wireless receiving mode

- This system works in wireless receive mode without AV-IN camera, switch to AV-IN mode automatically after connected with AV-IN camera。
- Using wireless receiver function to receiving audio and video
 - Attention : make sure antenna upwards to get the best wireless signal.
 - Press “FR(▲) and CH(▼)” to adjust the same bands and channels with transmitter’s (Please refer to the instructions of Transmitter’s)。
 - If the image quality is poor caused by other interference signal, please switched to other channels to avoid interference。
 - Frequency Bands&Channels comparison table:

CH \ FR		FR			
		FR: A or (1)	FR :B or (2)	FR: E or (3)	FR :F or (4)
CH	CH1	5865M	5733M	5705M	5740M
	CH2	5845M	5752M	5685M	5760M
	CH3	5825M	5771M	5665M	5780M
	CH4	5805M	5790M	5645M	5800M
	CH5	5785M	5809M	5885M	5820M
	CH6	5765M	5828M	5905M	5840M
	CH7	5745M	5847M	5925M	5860M
	CH8	5725M	5866M	5945M	5880M

■ **Menu Schematic diagram:**



■

- Band icon: show the current wireless receiver frequency bands, like FR:A、FR:B、FR:E、FR:F。
- Channels icon: show the current wireless receiver channels, like: CH1、CH2、...CH8。
- System icon: show the current video format。
- SD icon: show the current memorizer, “**M**” means without SD card, “**SD**” means SD card installed, 10% shows the storage volume remaining。
- Quality of documents icon: shows the current documents in SD card。
- Volume icon: show the current volume。
- Date Stamp icon: This icon appears only if set up in the menu ,Date Stamp can print the date/time stamp on the video screen during the record, adjust the time and date before “Date Stamp” function。
- Date&Time icon: show the current date and time, please adjust date and time before use。
- Recording time icon: show the current recording time。
- Power icon: show the current power remaining and voltage。

4 AV IN mode

To use other AV signal via AV connecting line

- Connect AV connecting line to AV IN jack of RC800, the yellow RCA plug connected with Video signal source, white or red RCA plug connected with audio signal source。

■ **Menu Schematic diagram:**



- AV IN: AV in mode.
- Please refer to the wireless receiver mode with other icon.

5 Recording

■ Recording operation

- Press **OK (●)** in Video preview mode to start record, red icon on the screen shows the recording time, for example: “00:10:02” means has recorded 10 minutes 2seconds, press **OK (●)** **again** to exit recording.

■ Relevant recording functions

- In order to make sure the video data can be playback well, the system will divide all recording automatically 10 minutes per piece.
- Date Stamp can print the date/time stamp on the video screen during the record, adjust the time and date before “Date Stamp” function, open this in function Menu.
- Video data will be automatically saved when power off caused for low power.

6 Video playback

■ Playback

- Press **playback** “  ” to enter playback mode.


- Button function in playback mode:

MENU: Setting menu, stop.

FR(▲): Optional key in playback mode, press a long time to increase the volume, press quickly during playback to set rapid speed.

CH(▼): Optional key in playback mode, press a long time to decrease the volume, press quickly during playback to set fast reverse speed.

OK (REC) : Play/Suspend,

Press **playback** “  ” again to exit playback mode.

- time/total time shows below during playback, for example: 00:05:08 / 00:10:02

■ **Playback setting menu**

- Press “FR(▲)/CH(▼)” to enter playback setting menu to switch; press “OK (●)” to confirm.

Delete

- Press “MENU” and choose delete, you can choose all documents or single document after enter the delete setting menu.
- Document won't be deleted if it is being protected.

Lock

- Sets the video file to protected mode, which prevent accidental files deletion.
- You can choose to protect all documents or single document.
- Caution: Formatting operating will delete all files in the current memory including those protected files.

Unlock

- Unlock protected document to delete useless document.
- Unlock all documents or single document.

Thumbnail

- Check the thumbnail before playback to choose document quickly, 9 thumbnail shows in screen in max; press “MENU” to exit thumbnail.
- Press “OK(●)” a long time to look over thumbnail in playback mode.

7 **Indicator light**

- indicator lamp
- Normal operation, green indicator light on.
- Recording mode, red indicator light on.
- Remote control DATA IN/OUT, blue indicator light on.

Other function

1 **Connected with PC**

- Support standard USB2.0 communication protocol, using a standard USB cable to connect the machine to the PC, support hot plug in.

2 **Connected with TV (AV OUT)**

- According to local TV settings, choose NTSC or PAL in setup menu.
- Insert AV connecting line with native machine, insert another yellow RCA (Video) plug into video input socket of TV, insert white or red RCA(Audio) plug into audio socket of TV.

3 **Synchronous switching channel of transmitter & receiver mode**

- Connect RC800 DATA OUT port and the 7th channel of the model remote control receiver with DATA OUT cable and switch channels of Wireless AV transmitter and receiver synchronously by the model remote control.

Attention : player need an extra RC receiver for connection in this case.

- Connect RC800 DATA OUT port and the check port of the model remote control with DATA OUT cable, and switch channels of wireless AV transmitter and receiver synchronously by FR(▲)/CH(▼) button of RC800.

- Attention : This function is applicable to FUTABA remote control and receiver. In addition, DATA OUT cable must be connected to the 7th channel of the model remote control receiver.

4 **Connected with ATT antenna to Automatic tracking signal model**

■ Use AAT connecting line to connect RC800 and ATT antenna to provide data for AAT antenna.
 Attention: AAT port work in 6.0Mhz sound channel. If your wireless AV transmitter work in 6.5Mhz single track, please connect to the AV OUT of RC 800 to work together with AAT antenna.

Basic specifications:

System	Size: PAL(720×576)、NTSC(720×480) Dynamic image: MP4, mono audio channel Storage: RAM(around 128MB)、Mini SD(TF) Card (support 32GB in max) Wireless receiver: 5.8G 32CH; sensitivity: -90dBm
LCD	7" 800*480 HD Screen
Input and Output port	AV output: mono audio channel、 video output AV input: mono audio channel、 video input DC IN:7-28V AAT OUT port ANT: RPSMA DATA OUT port USB:USB2.0