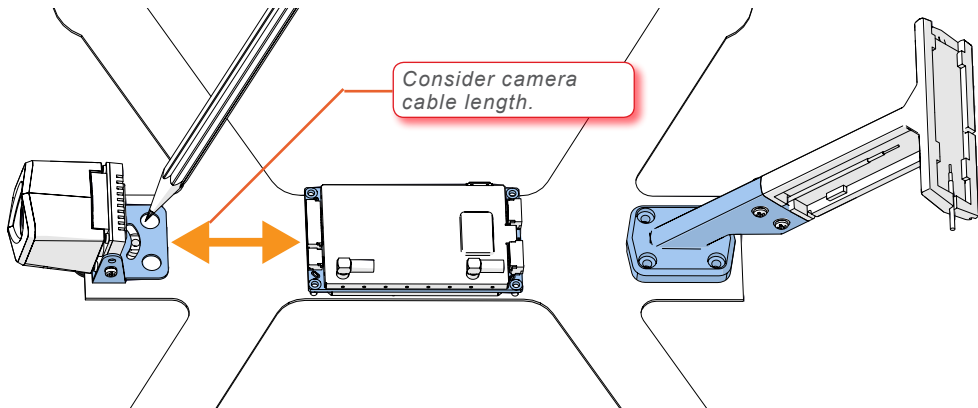
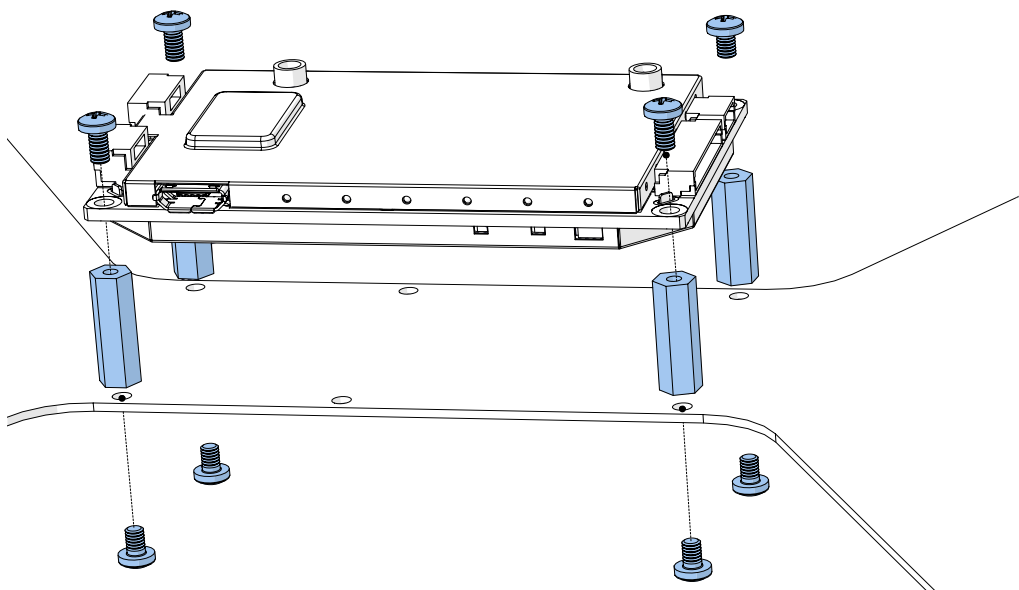


## 1st Step: Mechanical Installation

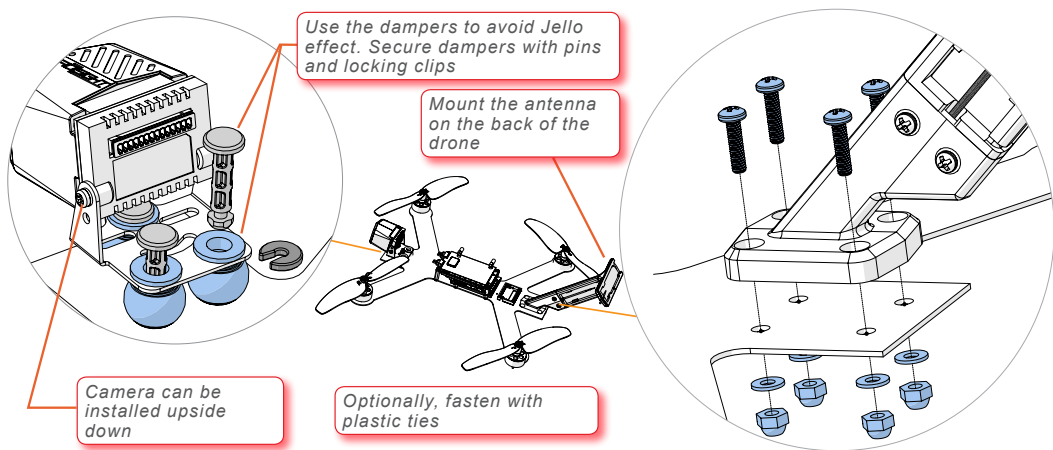
**1** Mark mounting holes for camera, transmitter, and antenna



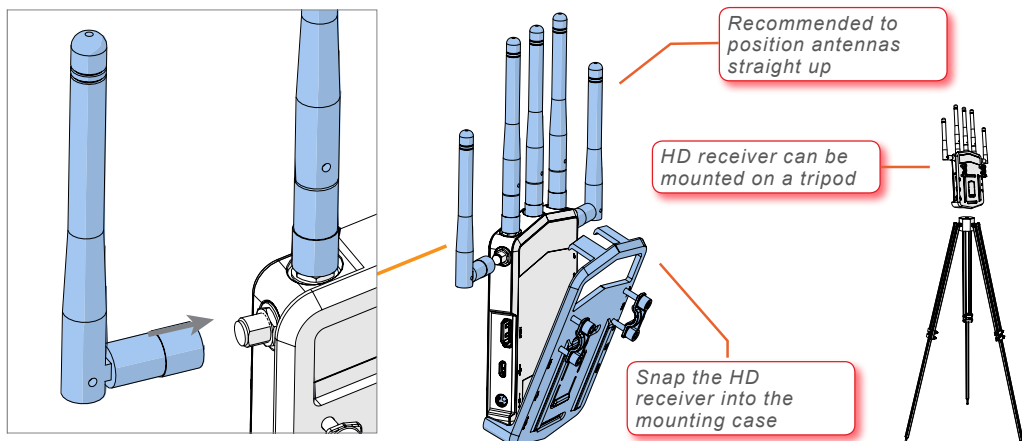
**2** Install the HD transmitter



**3** Attach camera and antenna



**4** Connect the HD receiver antennas and mounting case



## 2nd Step: Wiring and Operation

