



# Wearable Gimbal 3 Axis

FY WG 3 Axis Wearable Gimbal is compatible with GoPro HERO4 / 3+ / 3 and cameras with similar dimensions. Reserved mounting space for GoPro LCD Touch BacPac

## Introduction

FY WG is a lightweight, yet feature-rich, wearable 3 axis gimbal capable of capturing immersive and fully stabilized footages. It is compatible with GoPro HERO4/ 3+ / 3 (with optional mounting space for GoPro LCD BacPac) and other cameras with similar dimensions. The FY WG is a miniaturized version of the best-selling FeiYu gimbal, offering exceptional stabilization technology in a wearable form factor for action cameras. A GoPro T-Clamp adapter is packaged with every FY WG. Users can attach the gimbal to any accessories supporting the GoPro three-prong mount. The FY WG also contains two 1/4"-20 tripod mounts on its gimbal body, allowing the gimbal to be mounted in different orientations to all universal tripod screw mount accessories (including helmets, bikes, selfie sticks and other accessories).

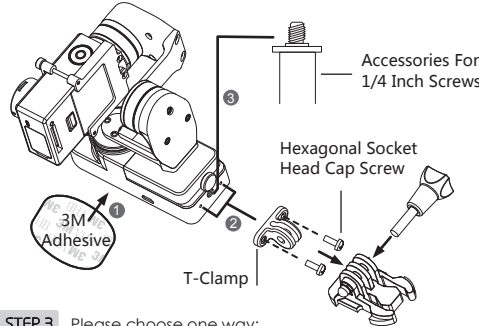
## Install

### STEP 1

Remove the screws on the battery compartment, insert two 16340 batteries and tighten the screws.

### ⚠ WARNING!

Do not power on the gimbal before completing all the installation steps.



### STEP 2

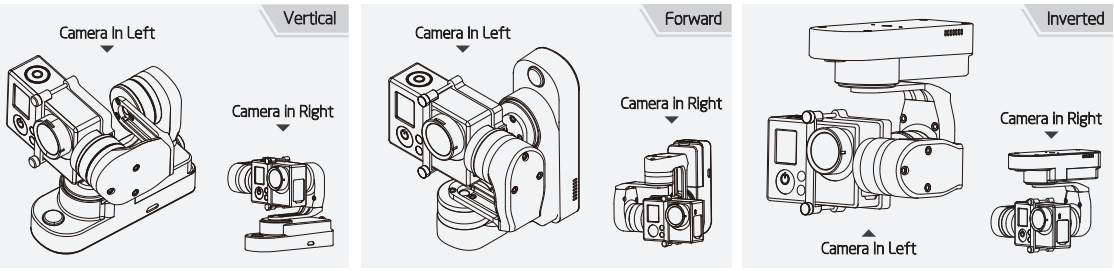
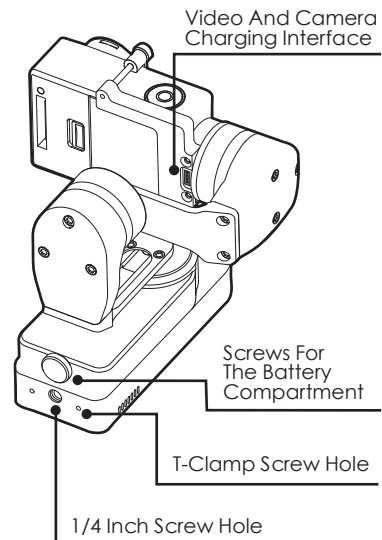
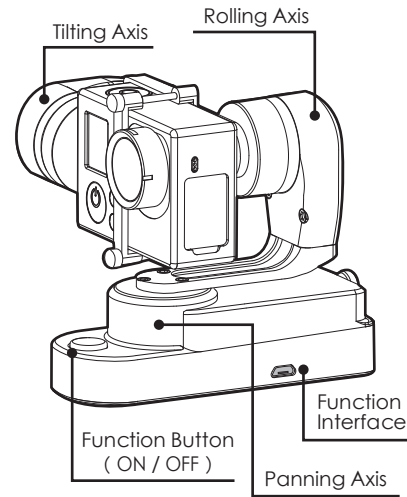
Mount the camera carefully to the mounting bracket and tighten the screws.

### STEP 3

- Please choose one way:
- Use the 3M Adhesive to fix the bottom of the Gimbal.
  - Use with GoPro Accessories, mount the provided T-clamp to the side or the bottom of the gimbal. Attach T-clamp to any accessories supporting the standard GoPro three-prong mount.
  - The gimbal can also be mounted directly to other accessories using the standard 1/4" tripod mount. Tighten all screws and ensure it is firmly mounted before using the gimbal.

### POWERING ON / OFF

Ensure the camera is mounted securely. Press and hold the function button for 2 seconds. The LED light will turn blue. Press the function button and hold for 3 seconds, it will be powered off.



## Operation

**Function Button** Switch between different operating modes by pressing the function button. The LED light will flash distinctively to indicate different operating modes.

### Operating Modes and Functions

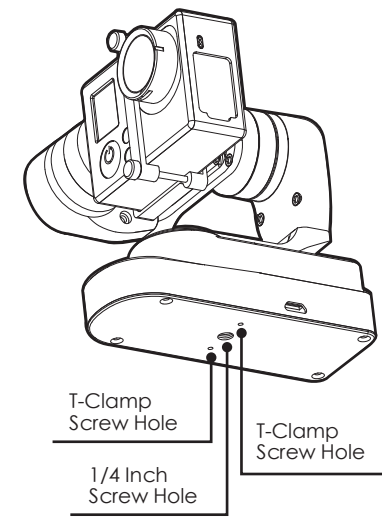
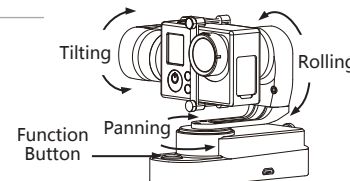
- Mode #1 - Panning Mode** Camera is permitted to pan left or right. Vertical tilts or rolls are restricted.
- Mode #2 - Panning and Tilting Mode** Camera is permitted to pan left or right and tilt up and down. Rolls are restricted.
- Mode #3 - Lock Mode** Camera stays in its current orientation. All panning, tilting and rolls are restricted.

**Inversion Mode** Pressing the function button three consecutive times in any operating mode, the gimbal will switch to the Inverted Mode (Allowing the user to flip the gimbal orientation upside down). Pressing the function button three more times while in Inverted Mode to switch back to the original orientation.

**Manual Pulling Locking** After the gimbal has been powered on for eight seconds, the tilt angle can be adjusted manually in the Panning Mode and the Lock Mode. Adjust the tilt angle to the desired position and wait for 0.5 second until the gimbal registers the new angle.

**Reset** Pressing the function button four consecutive times will reset the gimbal to initial orientation.

**Tilt and Level Calibration** By using the optional G4 Remote Control, tilt and level can be adjusted without the need to connect to a computer. For more information, please refer to G4 Remote Control section in the instruction manual.

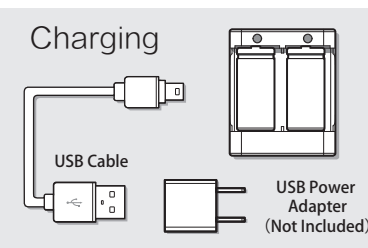
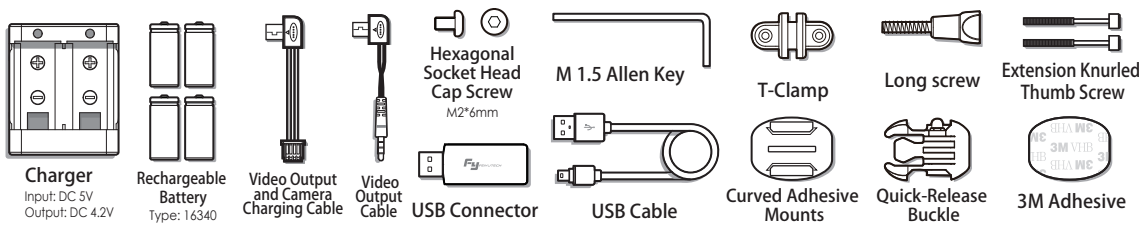


### Function Button Quick Reference

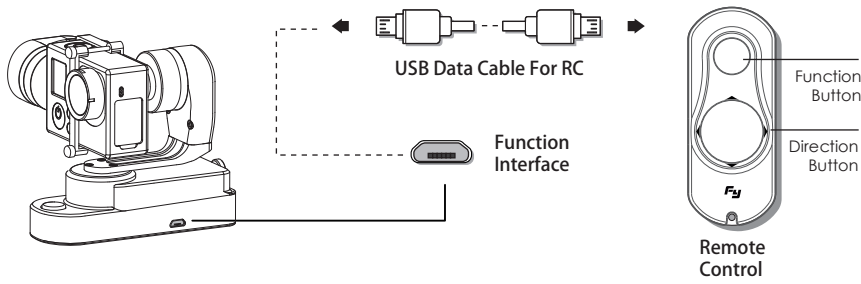
Operation	LED Status	Function Explanation	Operation	LED Status	Sound	Function
Single Tap	LED Flashes Once	Panning Mode	Long Press For 1 Second	On Constantly		Lock Mode
Double Tap	LED Flashes Twice	Panning and Tilting Mode	Long Press For 2 Second	Turn On And Switch To The Mode's LED Status	Two Beeps	Power On
Triple Tap	LED Flashes Once	Inversion Mode	Long Press For 3 Second	Turn Off After A moment	Three Beeps	Shutdown
Quadruple Tap	LED Flashes Once	Reset				

\* When the gimbal is in the Inverted Mode, pressing the function button three consecutive times will revert back to the original orientation. When the battery is low, the gimbal will make three beeping sound and automatically shut down itself.

## Accessories



# Remote Control (Optional Item)



Direction Button	
▲	UP
▼	DOWN
◀	LEFT
▶	RIGHT
<b>NOTE</b>	
The function button on the Gimbal will be disabled after connect the Remote Control	

## Angle Adjustment

In Panning Mode, tilt angle can be controlled by pressing the "UP" or "DOWN" button on the remote control

In Lock Mode, tilt angle can be controlled by pressing the "UP" or "DOWN" button, pan angle can be controlled by pressing the "LEFT" or "RIGHT" button on the remote control.

## Tilt and Level Calibration

Using the Remote Control, tilt and level can be adjusted without the need to connect to a computer. Calibration can be done in any operating mode.

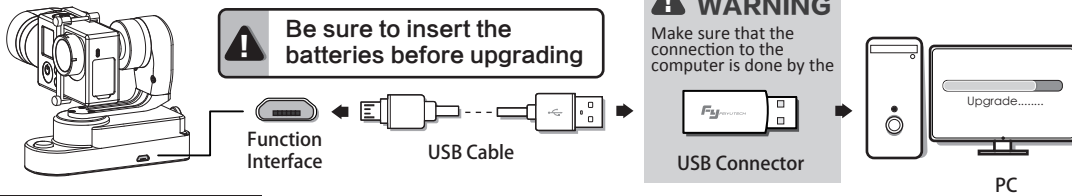
Quickly tap the function button six times to enter the calibration mode. Tilt angle can be controlled by pressing the "UP" or "DOWN" button. Roll angle can be controlled by pressing the "LEFT" or "RIGHT" button. When calibration is completed, the gimbal automatically saves the current setting and enters the standby mode. Press the function button once on the Remote Control to wake the gimbal and resume operation.

**Note: Please make sure gimbal completed initialization successfully before attempting calibration.**

## Remote Control Operation Instructions

Operation	Explanation	Operation Again	Explanation
Single Tap	Mode #1 Panning Mode	Other Operation Is Arbitrary	
Double Tap	Mode #2 Panning and Tilting Mode	Other operation Is Arbitrary	
Triple Tap	Inversion Mode	Triple Tap Again	Exit inversion mode into original status
Quadruple Tap	Reset	Other Operation Is Arbitrary	
Tap Button Six Times	Calibration Using Remote Control	Single Tap Again	Exit calibration and enter standby. Wake the gimbal by pressing the function button once again
Long Press For 1 Second	Mode #3 Lock Mode	Other Operation Is Arbitrary	
Long Press For 3 Second	Turn Off The Gimbal		

# Firmware Upgrade



### Firmware Upgrade Instruction

Please visit the official website of Feiyu Tech: [www.feiyu-tech.com](http://www.feiyu-tech.com) to download the USB driver, firmware upgrade software and the latest firmware. Unzip the compressed file locally to your computer. Refer to the connection diagram on how to connect the gimbal with the computer. Please follow the instructions inside the firmware upgrade package carefully, or there will be a risk of rendering the gimbal inoperable.

**Attention: Please make sure that the connection to the computer is done by the USB connector.**

### Tilt and Level Calibration

The tilt and level settings can be calibrated through the use of the configuration software. User can adjust the tilt and diagonal rotation in small intervals to better adapt to his/her filming scene. Before any calibration, please insert the batteries into the gimbal and refer to the connection diagram to connect the gimbal with the computer.

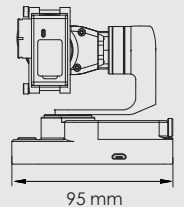
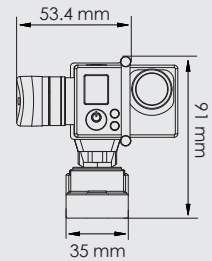
**Attention: Please make sure that the connection to the computer is done by the USB connector.**

### Panning Speed Adjustment

The panning speed can be adjusted through the use of the configuration software. User can adjust to the desired panning speed to better adapt to his/her filming scene. There are three settings available: "SLOW", "NORMAL" and "FAST". Default setting is "FAST".

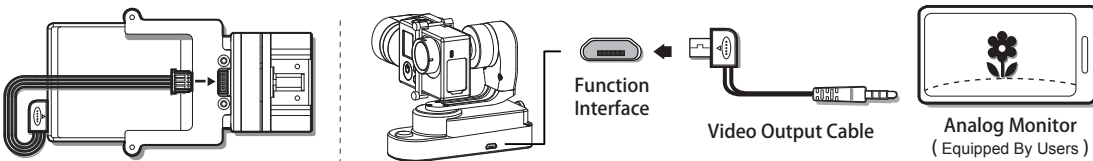
**Attention: Please make sure that the connection to the computer is done by the USB connector.**

## Parameters



Working Voltage	6.0 V ~ 9 V
Vertical Tilting Angle	320°
Rolls Angle	100°
Horizontal Panning Angle	320°
Tilting Increments	2° /S ~ 75° /S
Panning Increments	3° /S ~ 150° /S
Static Attitude Tracking Accuracy	0.01 ~ 0.05 (Working Voltage)
Motion Attitude Tracking Accuracy	0.1 ~ 0.5 (Motor Overload<2G)
Overload Current Protection	800 mA
Weight	188 g (Without Batteries & Camera)
Usage Time	3 ~ 4 Hours
Camera Maximum Height	43.6 mm (Replaceable mounting bracket)
Camera Maximum Thickness	31.7 mm (Replaceable mounting bracket)
Camera Maximum Weight	150 g

# Video And Camera Charging Interface



This interface can be output 5 voltage and receive analog video signal from GoPro. Connect the video output and camera charging cable as the above diagram can power the GoPro camera and view video signal from the GoPro camera.

After connecting the video output and camera charging cable, the analog monitor can be used as a display.

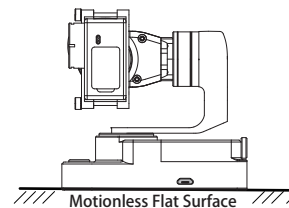
**Note: The Analog Monitor are equipped by users.**

# Initialize The Gimbal

## Initialization Instructions

1. Ensure gimbal is fully assembled and camera is installed properly.
2. Place the gimbal on a flat surface and keep it stationary.
3. Power on the Gimbal.
4. Wait for the gimbal to finish its initialization before resuming the use of the gimbal.

**Note: When initialization is completed, the LED light will quickly flash.**



FY WG needs to be initialized whenever the following situations are observed after power on

1. The tilt angle is not leveled with the horizontal surface.
2. The roll angle is not parallel to the horizontal surface.
3. When the gimbal is Full-Axis-Lock mode, the camera does not stay stationary..

## ATTENTION

Please assemble the gimbal in accordance to the diagram provided.

Please upgrade the firmware and configuration settings with the provided USB data cable.

Please charge the battery with the provided battery charger.

Please install the camera securely before powering on the gimbal.

## DISCLAIMER

FY WG 3-Axis Wearable Gimbal is a feature-rich camera stabilizer, yet lightweight and portable. It is prohibited for any user to use the gimbal for any illegal purposes.

Guilin Feiyu Electronic Technology Co.,Ltd and our associates assume no liability for any accident, injury, death, loss, or other claim related to or resulting from the use of this product. In no event shall Guilin Feiyu Electronic Technology Co.,Ltd and our associates be liable for incidental or consequential damages relating to or resulting from the use of this product or any of its parts. Damage resulting from use, accident, or normal wear and tear is not covered by our warranty. Guilin Feiyu Electronic Technology Co.,Ltd reserves the right to amend this manual and the terms and conditions of this product at any time.

**FY** FEIYUTECH