

# FOXTECH SEEKER-18 IR 18X Optical Zoom Camera with 3-axis Gimbal

## The User's Manual



**FOXTECH**

No.9 Haitai Fazhan Sixth Avenue XiQing District Tianjin China

Telephone: +862227989688

Email: support1@foxtechfpv.com

Http://www.foxtechfpv.com

## **Introduction of product**

FOXTECH SEEKER-18 IR is a 3-axis stabilized gimbal equipped with a 18X optical zoom camera and a infrared camera. The 3-axis gimbal adopts the integrated design, the structure is compact and it is easy to be installed. This 3-axis gimbal adopts intelligent design solution so the gimbal can work once power is added, don't need to debug; The magnetic encoder can accurately perceive the posture changes in motor motion, and the posture sensor can accurately perceive the relative position of motor. All these characteristics can let the camera keep stable during the movement, and keeps the camera at a steady shooting angle even at high speed and intense shaking. The 18X optical zoom camera can easily capture details over distance, the infrared camera can take photos at 640x480 resolution, and the sensitivity is less than 65mk.

FOXTECH SEEKER-18 IR can be applied in many fields like police surveillance and evidence collection, power line inspection, disaster prevention and mitigation, emergency monitoring and rescue etc.

### **Features:**

- IP64 rating, waterproof and dustproof
- 3-Axis high Stabilized Gimbal System
- 18X optical zoom, CVBS and 720p/60fps output for video downlink
- 1080p/30 video recorded for on-board SD card
- Thermal sensor: 640x480 resolution, CVBS 50HZ(PAL)/60HZ(NTSC)
- 4 levels thermal zooming: 2X, 4X, 8X and 16X

### **Specifications:**

Material: Aviation aluminum alloy, nylon

Product size: 180x178x185mm

Weight: 1050 g

Working temperature: - 10 °C ~ 45 °C

Input voltage: 4 s ~ 6 s (14.8V ~ 22.2 V)

Range of control angle : -40°~40°(roll angle), -120°~30°(pitch), -170°~170°(direction angle)

Control accuracy: 0.03°

Control signal: SBus

Output interface: AV analog output, miro-HDMI HD output

Storage: 2 TF Cards(white light, infrared video record respectively )

### **White Light Camera:**

Lens: 18X optical zoom lens

Sensors: 1/4" 3 megapixel CMOS sensor

Video output resolution: 1280\*720@60fps

Video storage resolution: 1080 p

Focus time: < 2 s

Automatic white balance: support

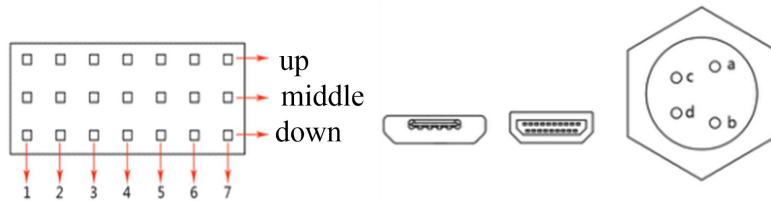
Auto gain control: support

Auto color correction: support  
 Wide dynamic: support (dynamic range can reach 105dB)

**Infrared Camera:**

Resolution: 640x480  
 Pixel-space: 17μm  
 Types: Uncooled focal planar micro bolometer  
 Wavelength range: 8~14μm  
 Thermal sensitivity (NETD): ≤65mk@30°C  
 Lens focal length: 19mm  
 Field angle: 32.0x24.2°  
 Image output time: ≤5s  
 Image denoising: digital filtering  
 Electronic zoom: 2 times,4 times,8 times,16 times magnification  
 Polarity reversal: support  
 Palette: the pseudo color switching Frame  
 Frequency: 50Hz  
 Extensible temperature measurement functions: the central point,highest temperature and lowest temperature display function;over temperature alarm

**The interface definition**



	1	2	3	4	5	6	7	a	b	c	d	
<b>Up</b>	SBus							Blue	Brown	Black	White	
<b>Middle</b>	+5V											
<b>Down</b>	GND											
<b>Definition</b>	SBus signal							Video output	Video GND	GND	Power	

**Note: When using the SBus , it only need to connect the 1 pin, and the 2-7 pin must be in blank.**

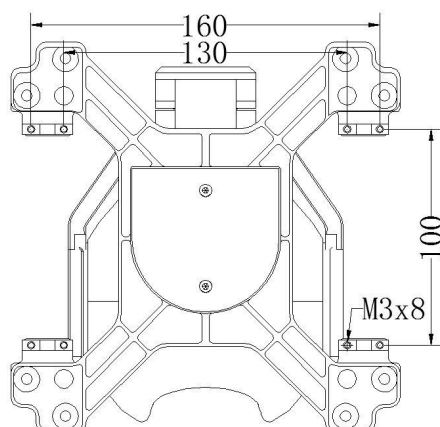
**The Futaba SBus control bus is defined as follows:**

- RC\_CH1----- **Roll control**
- RC\_CH2----- **Pitch control**
- RC\_CH4----- **Direction control**
- RC\_CH5----- **Visible light video camera control**
- RC\_CH6----- **Video switch control**
- RC\_CH7----- **Zoom control**
- RC\_CH8----- **Infrared camera video camera control**

## Notice

- 1.The input voltage only supports 4S ~ 6S.
- 2.There are about 2 seconds for self-inspection after the pod is power-on. When the sound is heard, the self-inspection is completed. Please do not shake the pod in the self-inspection process. If the inspection fails (for a long time there is no beep), please turn on the power again.
3. HDMI default outputs the visible light camera video signal,AV default outputs the infrared camera video signal.
4. The video switch control: the switching control from the mid-position to low position and then back to the mid-position can change the visible light and infrared camera video signal; the switching control switch from the mid-position to the top and then back to the mid-position is the palette switch of infrared camera .
5. In the default state, the zoom control is the white light camera zoom control. When the video switch control cutting from the mid-position to high-position (and ultimately stay at the high-position) 2S later, the zoom control will be the infrared camera electronic zoom control.
- 6.The mid-level of white light video camera control is the standby position; the control is switched from the mid-position to high-position and then back to the mid-position can switch the camera mode, and the camera mode includes the video mode and camera mode. The acting switch from mid-to low position can trigger a video (photo) command .
- 7.The mid-position of infrared video camera photo control is the standby position, switch to low-position can trigger the video, and switch to the high-position and then back to the middle-position can trigger the camera.
- 8.Shut off the power before you will stop the video , otherwise the video will be damaged.
9. The users are not allowed to disassemble and modify the optoelectronic pod. Once the user disassembles or modifies by themselves, it is deemed to automatically give up the right to after-sales service, and the losses caused by it, our company does not undertake any responsibility.
- 10.Our company reserves the right to modify the product parameters, performance and other information, so there is no notice of change.

## Installation dimensions



**Package Includes:**

- 1x Foxtech SEEKER-18 IR 18x Optical Zoom Camera
- 1x Foxtech SEEKER-18 IR 3-axis gimbal
- 8x Damping Component
- 1x Cable
- 1x User Manual