

R600 OLED Display

5.8G high sensitivity receiver

| | | |
|--|-----------------------|-----------------|
| R600 OLED Display 5.8G high sensitivity receiver | Receiving Sensitivity | -95dBm |
| | Receiving Frequency | ISM 5.8GHz 32CH |
| | Power Supply Voltage | DC 7-26 V |
| | Supply Current | 130mA |
| | RF input matching | 50ohm SMA |
| | Video output voltage | 1.0Vp_p 75Ω |
| | Audio output voltage | 1.0Vp_p 10KΩ |
| | Dimension | 90x54x15mm |
| | Weight | 100g |

Basic function

- 1) 32 channels, 4 frequency band wireless receiving.
- 2) Two buttons for channel and band exchange individually.
- 3) Two number display, timely locate the current receiving frequency and band.
- 4) When power on, storage memory shows channel and frequency of the last time.
- 5) Two-way video and audio signal output (video: PAL, NTSC,CECAM Audio: 6.5MHz)
- 6) 5dB sensitivity gain more than normal receivers
- 7) Wide dynamic power supply (7-24v)
- 8) Newly LOED display, can show the current working state correctly.
- 9) Auto search, can find the needed channel by one press.

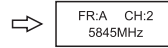
1. Auto channel search

- 1). When power on, press SE, auto search starts ; Then press SE or FR, auto search stop.
- 2) After one circle search, if no signal, search will automatically stop.
- 3) After one circle search, if signal and channel appear, search will automatically stop.
- 4) Order of auto search
The order for every auto search is: (CH A: FR1-8; CH B: FR1-8; CH E: FR1-8; CH F: FR1-8)
- 5) The rule of OLED display with auto search

When search FRA, CH 1, OLED displays as below



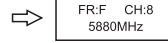
When search FRA, CH 2, OLED displays as below



When search FR B, CH 8, OLED displays as below



Same reason. When search the last channel FR F, CH 8, OLED displays as below



When search the last channel but no signal, search automatically stop on the current channel; But if signal was searched out, suppose it is FR E/CH 8, OLED displays as below

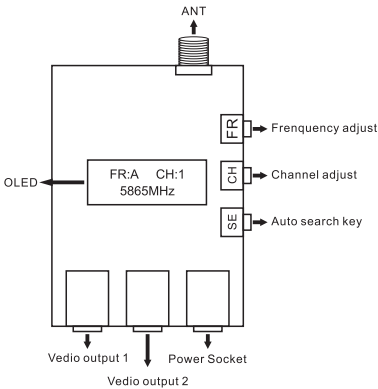


2.CH and FR with OLED display

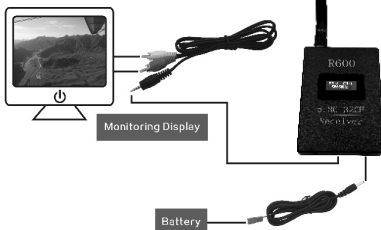
| CH | | CH | | | | | | | |
|----|---|----------|----------|----------|----------|----------|----------|----------|----------|
| | | 1 | 2 | 3 | 4 | 5 | 6 | 7 | 8 |
| FR | A | 5865 MHz | 5845 MHz | 5825 MHz | 5805 MHz | 5785 MHz | 5765 MHz | 5745 MHz | 5725 MHz |
| | R | 5658 MHz | 5695 MHz | 5732 MHz | 5769 MHz | 5806 MHz | 5843 MHz | 5880 MHz | 5917 MHz |
| | E | 5705 MHz | 5685 MHz | 5665 MHz | 5645 MHz | 5885 MHz | 5905 MHz | 5925 MHz | 5945 MHz |
| | F | 5740 MHz | 5760 MHz | 5780 MHz | 5800 MHz | 5820 MHz | 5840 MHz | 5860 MHz | 5880 MHz |

- 1) Manual channel search and OLED display
When power on, press CH, the channel changes and OLED displays it.
OLED display loop from CH 1-8
- 2) Manual frequency search and OLED display
When power on, press FR, the frequency changes and OLED displays it.
OLED display loop from FRA-F

3. Product structure diagram



4. Product connection diagram



R600 OLED Display Receiver

